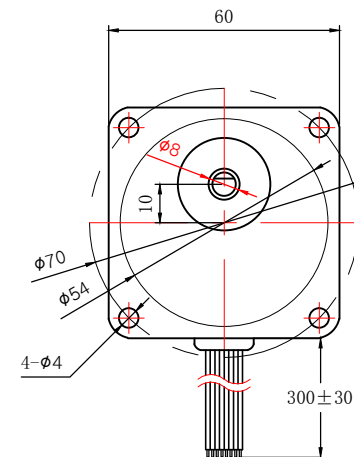
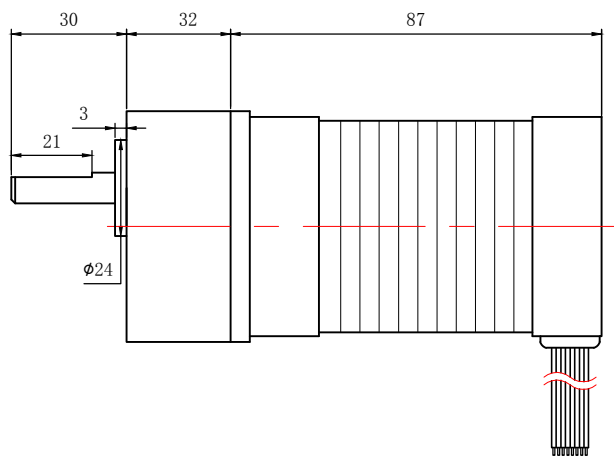


57BLY-1030NBB-J

电机尺寸
DIMENSIONS:
(UNIT=MM)



驱动连接方式
CONNECTION MODE:

说明
NOTES:

1. PLEASE DON'T HOLD MOTOR BY LEAD WIRES.
2. PLEASE DON'T PLUG IN/OUT THE MOTOR CONNECTOR WHILE POWER ON.
3. PLEASE DON'T DROP, HURL OR DUMP MOTOR AGAINST HARD MATERIAL
MALFUNCTION MAY NOT BE OBSERVED AT EARLY STAGE AFTER SUCH SHOCKS, BUT FOUND LATER. THE MISHANDLING VOIDS OUR WARRANTY.
4. DONGGUAN ICAN-TECH WILL NOT BE RESPONSIBLE FOR ANY PATENT DISPUTE OR PROBLEM CAUSED BY ACTUAL APPLICATIONS

| 连接方式 CONNECTION MODE | MOTOR CABLES 3"UL3265 AWG20# | | | HALL SENSOR CABLES 5"UL1007 AWG26# | | | | |
|----------------------------|---------------------------------|----|----|---------------------------------------|----|----|------|------|
| 电机线 MOTOR LINE | 粗黄 | 粗绿 | 粗蓝 | 细黄 | 细绿 | 细蓝 | 细黑 | 细红 |
| 驱动器接口 DRIVER INTERFACE | U | V | W | HU | HV | HW | REF- | REF+ |

| 电机参数/ELECTRICAL PARAMETER | | 轴径配置/SHAFT DESIGN |
|--------------------------------------|-----------------|-------------------|
| 电机型号 MANUFACTURER MODEL | 57BLY-1030NBB-J | |
| 适配直流无刷电机驱动控制器 MATCHED MOTOR DRIVE | BLD120A/BLD300B | |
| 额定功率 RATED POWER (W) | 103 | |
| 额定转速 RATED SPEED (RPM±10%) | 3000 | |
| 电机电压 RATED VOLTAGE (V) | 24 | |
| 电机电阻 RESISTANCE (Ω±15%) | 0.5 | |
| 电机力矩 HOLDING TORQUE (N.M) | 0.33 | |
| 磁极数 NUMBER OF POLES | 4 | |
| 减速机速比 VELOCITY RATIO | 1:7.5/1:15/1:20 | |

| 制图 DESIGNED | 检图 CHECKED | 校准 APPROVED | 日期 DATE | 比例 SCALE |
|-------------------------------------|---------------|--|------------|-----------------------|
| HUANG TING | MAHUALING | | 2016/03/01 | 1:2 |
| 57BLY-1030NBB-J | | 东莞市一能机电技术有限公司 DONGGUAN ICAN TECHNOLOGY CO., LTD | | |
| 无刷齿轮减速电机 BRUSHLESS DC GEAR MOTOR | | | | 版本 EDITION V2.0 |