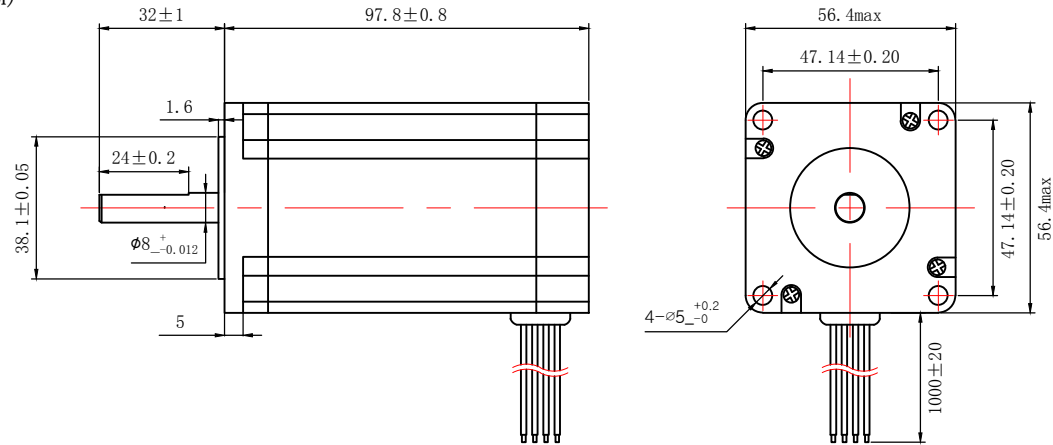
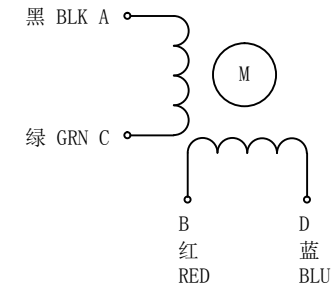


57H2P9850A4

电机尺寸  
DIMENSIONS:  
(UNIT=MM)



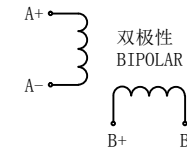
电机接线图  
WIRING DIAGRAM:



说明  
NOTES:

- PLEASE DON'T HOLD MOTOR BY LEAD WIRES.
- PLEASE DON'T PLUG IN/OUT THE MOTOR CONNECTOR WHILE POWER ON.
- PLEASE DON'T DROP, HURL OR DUMP MOTOR AGAINST HARD MATERIAL  
MALFUNCTION MAY NOT BE OBSERVED AT EARLY STAGE AFTER SUCH SHOCKS, BUT FOUND LATER. THE MISHANDLING VOIDS OUR WARRANTY.
- DONGGUAN ICAN-TECH WILL NOT BE RESPONSIBLE FOR ANY PATENT DISPUTE OR PROBLEM CAUSED BY ACTUAL APPLICATIONS

驱动连接方式  
CONNECTION MODE:



| 电机参数/ELECTRICAL PARAMETER                      |             | 轴径配置/SHAFT DESIGN                                       |
|--|-------------|---|
| 电机型号<br>MANUFACTURER MODEL                     | 57H2P9850A4 | <p><math>\phi 8_{-0.012}^{+0}</math></p> <p>7.5±0.1</p> |
| 适配步进电机驱动器<br>MATCHED MOTOR DRIVE               | MR4/MR5     |   |
| 步距角<br>STEP ANGLE (° /STEP)                    | 1.8         |   |
| 电机电压<br>RATED VOLTAGE (V)                      | 4.2         |   |
| 电机电流<br>RATED CURRENT (A/PHASE)                | 4.5         |   |
| 电机电阻<br>RESISTANCE ( $\Omega \pm 15\%$ /PHASE) | 0.7         |   |
| 电机电感<br>INDUCTANCE (mH±20%/PHASE)              | 2.4         |   |
| 电机力矩<br>HOLDING TORQUE (N.M)                   | 2.6         |   |
| 电机绝缘等级<br>INSULATION CLASS                     | B           |   |

| 制图<br>DESIGNED                     | 检图<br>CHECKED | 校准<br>APPROVED                                     | 日期<br>DATE | 比例<br>SCALE           |
|------------------------------------|---------------|--|------------|-----------------------|
| HUANGTING                          | MAHUALING     |  | 2016/03/01 | 1:1.8                 |
| <b>57H2P9850A4</b>                 |               | 东莞市一能机电技术有限公司<br>DONGGUAN ICAN TECHNOLOGY CO., LTD |            |                       |
| 两相步进电机<br>TWO-PHASE STEPPING MOTOR |               |  |            | 版本<br>EDITION<br>V2.0 |