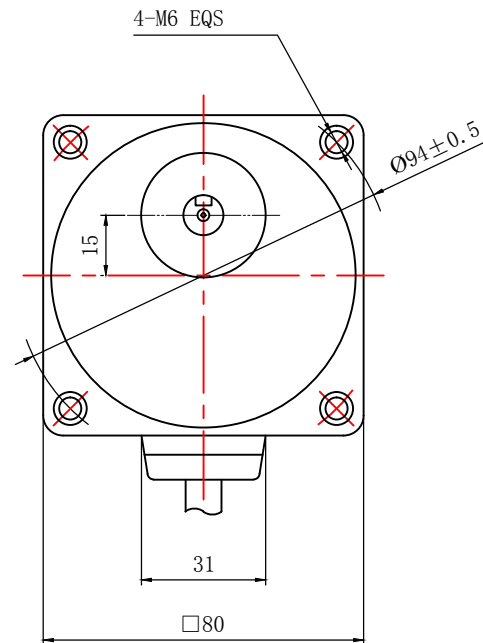
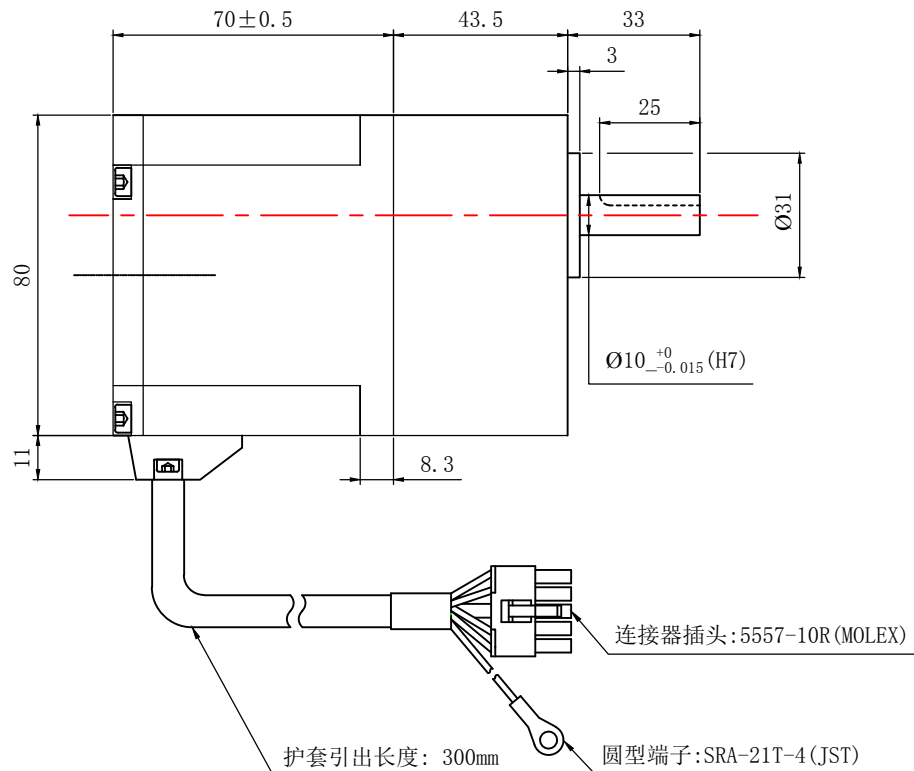


M120H34-G□□

电机尺寸
DIMENSIONS:
(UNIT=MM)



电机参数/ELECTRICAL PARAMETER		接线插孔对应信号说明	键·键槽 (附件)		
适配直流无刷电机控制器 Matched Motor Drive	SA-D120HRD/SD-D120HRD				
额定功率 Rated Power (W)	120				
额定转速 Rated Speed (RPM±10%)	3000		DESIGNED	CHECKED	APPROVED
电机电压 Rated Voltage (V)	220				
额定电流 Rated Current (A)	0.68		2017/09/01		1:2
峰值电流 Peak Current (A)	1.36		东莞市一能机电技术有限公司 DONGGUAN ICAN TECHNOLOGY CO., LTD		版本 EDITION
额定力矩 Holding Torque (N.M)	0.4				V2.0
峰值力矩 Peak Torque (N.M)	0.8				
极对数 Number of Pole-Pairs	5				
减速机电速比 Velocity Ratio	速比0-100可配				
绝缘等级 Insulation Class	B				