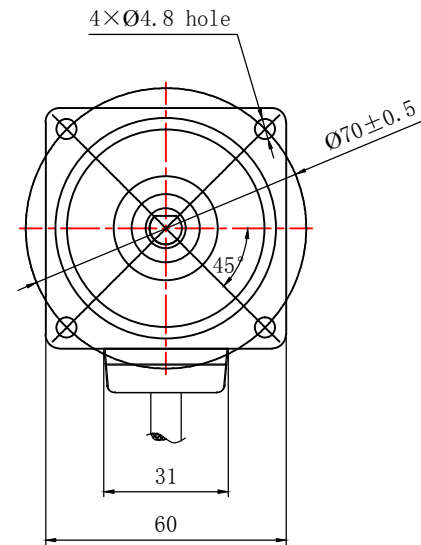
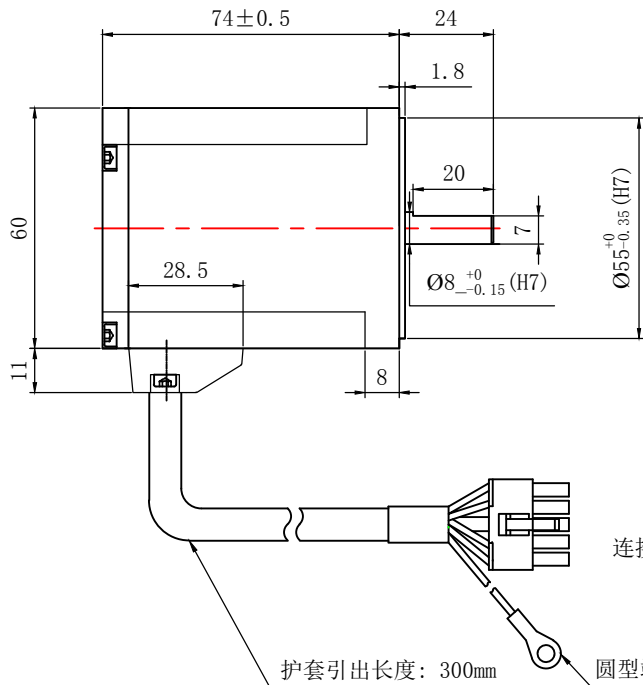


M60H32A

电机尺寸
DIMENSIONS:
(UNIT=MM)



连接器插头: 5557-10R (MOLEX)

护套引出长度: 300mm 圆型端子: SRA-21T-4 (JST)

| 电机参数/ELECTRICAL PARAMETER | | 接线插孔对应信号说明 | 键•键槽 (附件) | | | | | |
|------------------------------------|---------------------|------------|-----------|----------------|---------------|----------------|------------|---------------|
| 适配直流无刷电机控制器 Matched Motor Drive | SA-D60HRD/SD-D60HRD | | | 制图 DESIGNED | 检图 CHECKED | 校准 APPROVED | 日期 DATE | 比例 SCALE |
| 额定功率 Rated Power (W) | 60 | | | | | | 2017/09/01 | 1:2 |
| 额定转速 Rated Speed (RPM±10%) | 3000 | | | | | | | 版本 EDITION |
| 电机电压 Rated Voltage (V) | 220 | | | | | | | V2.0 |
| 额定电流 Rated Current (A) | 0.35 | | | | | | | |
| 峰值电流 Peak Current (A) | 0.7 | | | | | | | |
| 额定力矩 Holding Torque (N.M) | 0.2 | | | | | | | |
| 峰值力矩 Peak Torque (N.M) | 0.4 | | | | | | | |
| 极对数 Number of Pole-Pairs | 4 | | | | | | | |
| 减速机电速比 Velocity Ratio | | | | | | | | |
| 绝缘等级 Insulation Class | B | | | | | | | |



东莞市一能机电技术有限公司
DONGGUAN ICAN TECHNOLOGY CO., LTD